



*ISO 9001 Registered*

# **μP Supervisor Cross Reference and Selection Guide**

# μP Supervisor Cross Reference and Selection Guide

## Table of Contents

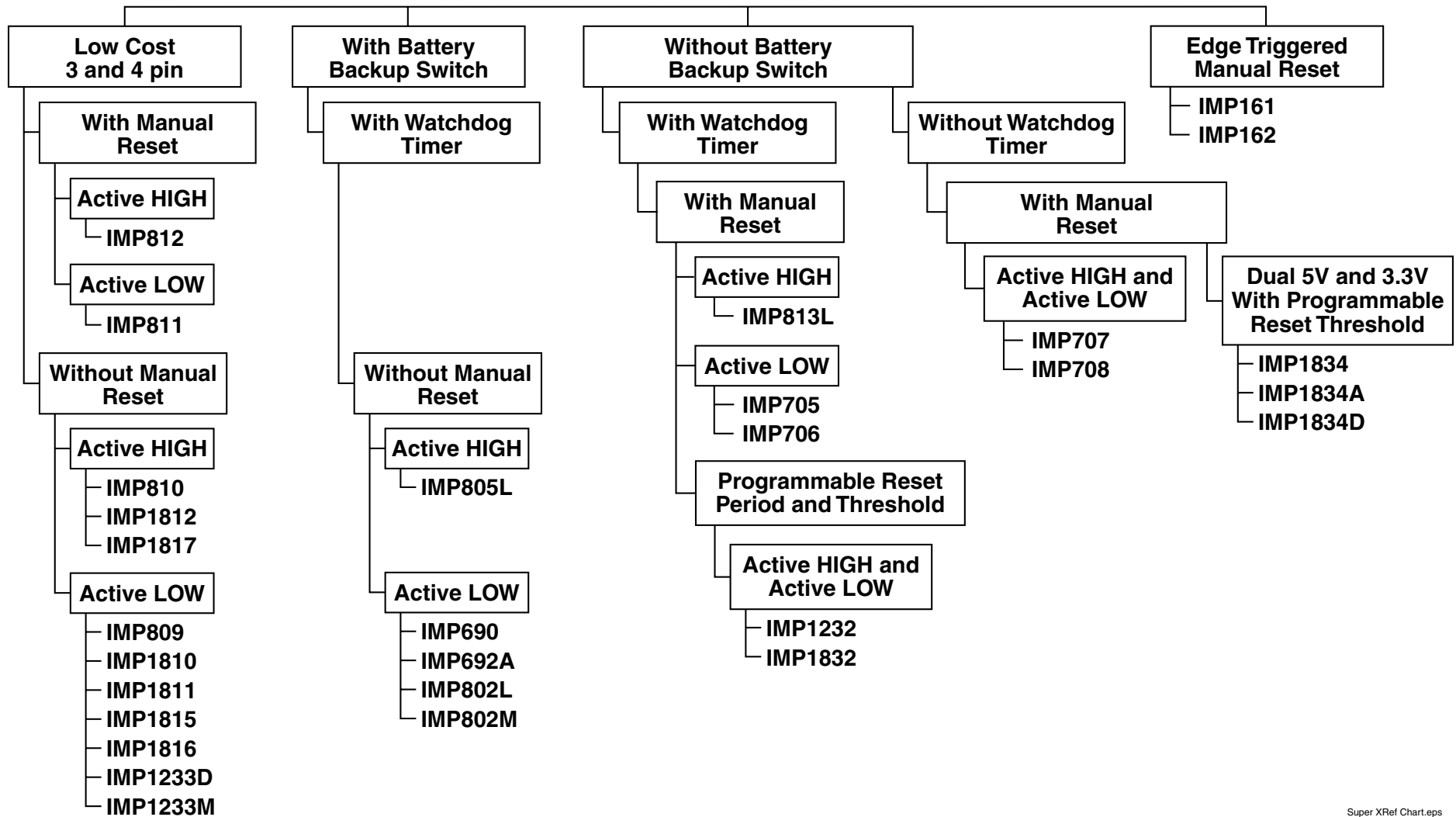


Part Number	Page	Description	Page
IMP690 .....	7	Selection Tree .....	3
IMP692 .....	7	3-Pin Microcontroller Power Supply Supervisor ...	4
IMP705 .....	5	4-Pin μP Voltage Supervisor with Manual Reset ...	4
IMP706 .....	5, 6	Low Power μP Supervisor Circuit .....	5, 6
IMP707 .....	6	μP Supervisor with Battery Backup Switch .....	7
IMP708 .....	6	Low Power, 5V μP Reset	
IMP802 .....	7	Active LOW, Push-Pull Output .....	8
IMP805 .....	7	Active LOW, Open-Drain Output .....	8, 9
IMP809 .....	4	Active HIGH, Push-Pull Output .....	8
IMP810 .....	4	Low Power, 3.3V/3.0V μP Reset	
IMP811 .....	4	Active LOW, Push-Pull Output .....	8
IMP812 .....	4	Active LOW, Open-Drain Output .....	8
IMP813 .....	6	Active HIGH, Push-Pull Output .....	9
IMP1232 .....	10	Low Power, 5V/3.3V/3.0V μP Reset	
IMP1233 .....	9	Active LOW, Open-Drain Output .....	9
IMP1810 .....	8	μP Power Supply Monitor and Reset .....	10
IMP1811 .....	8	Dual 5V and 3.3V μP Power Supply Supervisors w/ Manual Reset .....	11
IMP1812 .....	8	Selection Guide .....	18, 19
IMP1815 .....	8	IMP Sales and USA Distribution Offices .....	20-22
IMP1816 .....	8	International Sales and Distribution Offices ...	23, 24
IMP1817 .....	9		
IMP1832 .....	10		
IMP1834 .....	11		

# Selection Tree



## IMP Microprocessor Supervisors and Power Supply Monitors



Active HIGH and Active LOW refer to polarity of reset output.

Super XRef Chart.eps

# IMP809, IMP810, IMP811, and IMP812

## Analog Devices, ETC, Maxim, MicroChip and TelCom Part Numbers



The IMP809/810/811/812 supervisor family monitors the power supply of a microprocessor or microcontroller. When the monitored power supply voltage drops below the reset threshold, the supervisor chip generates a RESET signal for the system. The RESET signal is maintained active for a minimum time after the supply goes back above the reset threshold voltage.

IMP	Analog Devices	Part Number				Package	Reset Threshold (V)	RESET Polarity
		ETC (-40°C to 85°C parts) / (0°C to 70°C parts)	Maxim	MicroChip	TelCom			
IMP809LEUR	ADM809LAR	ETC809LUI / ETC809LUC	MAX809LEUR	MPC809T475	TCM809LENB	3 pin, SOT-23	4.63	LOW
IMP809MEUR	ADM809MAR	ETC809MUI / ETC809MUC	MAX809MEUR	MPC809T450	TCM809MENB	3 pin, SOT-23	4.38	LOW
IMP809JEUR	ADM809JAR	ETC809JUI / ETC809JUC	MAX809JEUR			3 pin, SOT-23	4.00	LOW
IMP809TEUR	ADM809TAR	ETC809TUI / ETC809TUC	MAX809TEUR	MPC809T315	TCM809TENB	3 pin, SOT-23	3.08	LOW
IMP809SEUR	ADM809SAR	ETC809SUI / ETC809SUC	MAX809SEUR	MPC809T300	TCM809SENB	3 pin, SOT-23	2.93	LOW
IMP809REUR	ADM809RAR	ETC809RUI / ETC809RUC	MAX809REUR	MPC809T270	TCM809RENB	3 pin, SOT-23	2.63	LOW
IMP810LEUR	ADM810LAR	ETC810LUI / ETC810LUC	MAX810LEUR	MPC809T475	TCM810LENB	3 pin, SOT-23	4.63	HIGH
IMP810MEUR	ADM810MAR	ETC810MUI / ETC810MUC	MAX810MEUR	MPC809T450	TCM810MENB	3 pin, SOT-23	4.38	HIGH
IMP810JEUR	ADM810JAR					3 pin, SOT-23	4.00	HIGH
IMP810TEUR	ADM810TAR	ETC810TUI / ETC810TUC	MAX810TEUR	MPC809T315	TCM810TENB	3 pin, SOT-23	3.08	HIGH
IMP810SEUR	ADM810SAR	ETC810SUI / ETC810SUC	MAX810SEUR	MPC809T300	TCM810SENB	3 pin, SOT-23	2.93	HIGH
IMP810REUR	ADM810RAR	ETC810RUI / ETC810RUC	MAX810REUR	MPC809T270	TCM810RENB	3 pin, SOT-23	2.63	HIGH
IMP811LEUS	ADM811LAR	ETC811LUI / ETC811LUC	MAX811LEUS			4 pin, SOT-143	4.63	LOW
IMP811MEUS	ADM811MAR	ETC811MUI / ETC811MUC	MAX811MEUS			4 pin, SOT-143	4.38	LOW
IMP811JEUS	ADM811JAR					4 pin, SOT-143	4.00	LOW
IMP811TEUS	ADM811TAR	ETC811TUI / ETC811TUC	MAX811TEUS			4 pin, SOT-143	3.08	LOW
IMP811SEUS	ADM811SAR	ETC811SUI / ETC811SUC	MAX811SEUS			4 pin, SOT-143	2.93	LOW
IMP811REUS	ADM811RAR	ETC811RUI / ETC811RUC	MAX811REUS			4 pin, SOT-143	2.63	LOW
IMP812LEUS	ADM812LAR	ETC812LUI / ETC812LUC	MAX812LEUS			4 pin, SOT-143	4.63	HIGH
IMP812MEUS	ADM812MAR	ETC812MUI / ETC812MUC	MAX812MEUS			4 pin, SOT-143	4.38	HIGH
IMP812JEUS	ADM812JAR					4 pin, SOT-143	4.00	HIGH
IMP812TEUS	ADM812TAR	ETC812TUI / ETC812TUC	MAX812TEUS			4 pin, SOT-143	3.08	HIGH
IMP812SEUS	ADM812SAR	ETC812SUI / ETC812SUC	MAX812SEUS			4 pin, SOT-143	2.93	HIGH
IMP812REUS	ADM812RAR	ETC812RUI / ETC812RUC	MAX812REUS			4 pin, SOT-143	2.63	HIGH

Super XRef 101.eps

### Maxim Supervisor Part Number Information

IMP809-812 parts have the same number and suffix identifications as Maxim. The prefix changes from MAX to IMP. The "J" version (4.00V reset threshold) will be available from IMP for the IMP809/810/811/812. Maxim offers the "J" version only for the 809.

# IMP705 and IMP706

## Analog Devices, Dallas Semiconductor, ETC, Maxim and Sipex Part Numbers



IMP	Part Number					Package	Reset Threshold (V)	RESET Polarity	Watchdog Timer
	Analog Devices	Dallas Semiconductor	ETC	Maxim	Sipex				
IMP705CPA	ADM705AN		ETC705M	MAX705CPA	SP705CP	8 pin, DIP	4.65	LOW	YES
IMP705CSA	ADM705AR		ETC705M	MAX705CSA	SP705CN	8 pin, SO	4.65	LOW	YES
IMP705CUA				MAX705CUA	SP705CU	8 pin, MicroSO	4.65	LOW	YES
IMP705EPA	ADM705AN	DS1705EPA	ETC705N	MAX705EPA	SP705EP	8 pin, DIP	4.65	LOW	YES
IMP705ESA	ADM705AR	DS1705ESA	ETC705M	MAX705ESA	SP705EN	8 pin, SO	4.65	LOW	YES
IMP706CPA	ADM706AN		ETC706N	MAX706CPA	SP706CP	8 pin, DIP	4.40	LOW	YES
IMP706CSA	ADM706AR		ETC706M	MAX706CSA	SP706CN	8 pin, SO	4.40	LOW	YES
IMP706CUA				MAX706CUA	SP706CU	8 pin, MicroSO	4.40	LOW	YES
IMP706EPA	ADM706AN	DS1706EPA	ETC706N	MAX706EPA	SP706EP	8 pin, DIP	4.40	LOW	YES
IMP706ESA	ADM706AR	DS1706ESA		MAX706ESA	SP706EN	8 pin, SO	4.40	LOW	YES
IMP706PCPA				MAX706PCPA		8 pin, DIP	2.63	HIGH	YES
IMP706PCSA				MAX706PCSA		8 pin, SO	2.63	HIGH	YES
IMP706PCUA				MAX706PCUA		8 pin, MicroSO	2.63	HIGH	YES
IMP706PEPA	ADM706PAN	DS1706PEPA		MAX706PEPA		8 pin, DIP	2.63	HIGH	YES
IMP706PESA	ADM706PAR	DS1706PESA		MAX706PESA		8 pin, SO	2.63	HIGH	YES
IMP706RPCA				MAX706RPCA		8 pin, DIP	2.93	LOW	YES
IMP706RCSA				MAX706RCSA		8 pin, SO	2.93	LOW	YES
IMP706RCUA				MAX706RCUA		8 pin, MicroSO	2.93	LOW	YES
IMP706REPA	ADM706RAN			MAX706REPA		8 pin, DIP	2.93	LOW	YES
IMP706RESA	ADM706RAR			MAX706RESA		8 pin, SO	2.93	LOW	YES
IMP706SCPA				MAX706SCPA		8 pin, DIP	2.93	LOW	YES
IMP706SCSA				MAX706SCSA		8 pin, SO	2.93	LOW	YES
IMP706SCUA				MAX706SCUA		8 pin, MicroSO	2.93	LOW	YES
IMP706SEPA	ADM706SAN			MAX706SEPA		8 pin, DIP	2.93	LOW	YES
IMP706SESA	ADM706SAR			MAX706SESA		8 pin, SO	2.93	LOW	YES
IMP706TCPA				MAX706TCPA		8 pin, DIP	3.08	LOW	YES
IMP706TCSA				MAX706TCSA		8 pin, SO	3.08	LOW	YES
IMP706TCUA				MAX706TCUA		8 pin, MicroSO	3.08	LOW	YES
IMP706TEPA	ADM706TAN			MAX706TEPA		8 pin, DIP	3.08	LOW	YES
IMP706TESA	ADM706TAR			MAX706TESA		8 pin, SO	3.08	LOW	YES
IMP706JCPA						8 pin, DIP	4.00	LOW	YES
IMP706JCSA						8 pin, SO	4.00	LOW	YES
IMP706JCUA						8 pin, MicroSO	4.00	LOW	YES
IMP706JEPA						8 pin, DIP	4.00	LOW	YES
IMP706JESA						8 pin, SO	4.00	LOW	YES

Super XRef t02.eps

# IMP707, IMP708 and IMP813

Analog Devices, Dallas Semiconductor, ETC, Maxim and Sipex Part Numbers



IMP	Part Number					Package	Reset Threshold (V)	RESET Polarity	Watchdog Timer
	Analog Devices	Dallas Semiconductor	ETC	Maxim	Sipex				
IMP707CPA	ADM707AN		ETC707N	MAX707CPA	SP707CP	8 pin, DIP	4.65	Dual: LOW & HIGH	NO
IMP707CSA	ADM707AR		ETC707M	MAX707CSA	SP707CN	8 pin, SO	4.65	Dual: LOW & HIGH	NO
IMP707CUA	ADM707ARM			MAX707CUA	SP707CU	8 pin, MicroSO	4.65	Dual: LOW & HIGH	NO
IMP707EPA	ADM707AN	DS1707EPA	ETC707N	MAX707EPA	SP707EP	8 pin, DIP	4.65	Dual: LOW & HIGH	NO
IMP707ESA	ADM707AR	DS1707ESA	ETC707M	MAX707ESA	SP707EN	8 pin, SO	4.65	Dual: LOW & HIGH	NO
IMP708CPA	ADM708AN		ETC708N	MAX708CPA	SP708CP	8 pin, DIP	4.40	Dual: LOW & HIGH	NO
IMP708CSA	ADM708AR		ETC708M	MAX708CSA	SP708CN	8 pin, SO	4.40	Dual: LOW & HIGH	NO
IMP708CUA	ADM708ARM			MAX708CUA	SP708CU	8 pin, MicroSO	4.40	Dual: LOW & HIGH	NO
IMP708EPA	ADM708AN	DS1708EPA	ETC708N	MAX708EPA	SP708EP	8 pin, DIP	4.40	Dual: LOW & HIGH	NO
IMP708ESA	ADM708AR	DS1708ESA	ETC708M	MAX708ESA	SP708EN	8 pin, SO	4.40	Dual: LOW & HIGH	NO
IMP708RCPA				MAX708RCPA		8 pin, DIP	2.63	Dual: LOW & HIGH	NO
IMP708RCSA				MAX708RCSA		8 pin, SO	2.63	Dual: LOW & HIGH	NO
IMP708RCUA				MAX708RCUA		8 pin, MicroSO	2.63	Dual: LOW & HIGH	NO
IMP708REPA	ADM708RAN			MAX708REPA		8 pin, DIP	2.63	Dual: LOW & HIGH	NO
IMP708RESA	ADM708RAR			MAX708RESA		8 pin, SO	2.63	Dual: LOW & HIGH	NO
IMP708SCPA				MAX708SCPA		8 pin, DIP	2.93	Dual: LOW & HIGH	NO
IMP708SCSA				MAX708SCSA		8 pin, SO	2.93	Dual: LOW & HIGH	NO
IMP708SCUA				MAX708SCUA		8 pin, MicroSO	2.93	Dual: LOW & HIGH	NO
IMP708SEPA	ADM708SAN			MAX708SEPA		8 pin, DIP	2.93	Dual: LOW & HIGH	NO
IMP708SESA	ADM708SAR			MAX708SESA		8 pin, SO	2.93	Dual: LOW & HIGH	NO
IMP708TCPA				MAX708TCPA		8 pin, DIP	3.08	Dual: LOW & HIGH	NO
IMP708TCSA				MAX708TCSA		8 pin, SO	3.08	Dual: LOW & HIGH	NO
IMP708TCUA				MAX708TCUA		8 pin, MicroSO	3.08	Dual: LOW & HIGH	NO
IMP708TEPA	ADM708TAN			MAX708TEPA		8 pin, DIP	3.08	Dual: LOW & HIGH	NO
IMP708TESA	ADM708TAR			MAX708TESA		8 pin, SO	3.08	Dual: LOW & HIGH	NO
IMP813LCPA				MAX813LCPA	SP813LCP	8 pin, DIP	4.65	HIGH	YES
IMP813LCSA				MAX813LCSA	SP813LCN	8 pin, SO	4.65	HIGH	YES
IMP813LCUA				MAX813LCUA	SP813LCU	8 pin, MicroSO	4.65	HIGH	YES
IMP813LEPA				MAX813LEPA	SP813LEP	8 pin, DIP	4.65	HIGH	YES
IMP813LESA				MAX813LESA	SP813LEN	8 pin, SO	4.65	HIGH	YES

Super XRef t03.eps

# IMP690, IMP692, IMP802 and IMP805

Analog Devices, Dallas Semiconductor, ETC, Maxim and Sipex Part Numbers



IMP	Part Number					Package	Reset Threshold (V)	RESET Polarity	Watchdog Timer
	Analog Devices	Dallas Semiconductor	ETC	Maxim	Sipex				
IMP690ACPA	ADM690AAN		ETC690NC	MAX690ACPA	SP690ACP	8 pin, DIP	4.65	LOW	YES
IMP690ACSA	ADM690AARN		ETC690MC	MAX690ACSA	SP690ACS	8 pin, SO	4.65	LOW	YES
IMP690AEPA	ADM690AAN		ETC690NI	MAX690AEPA	SP690AEP	8 pin, DIP	4.65	LOW	YES
IMP690AESA	ADM690AARN		ETC690MI	MAX690AESA	SP690AES	8 pin, SO	4.65	LOW	YES
IMP692ACPA	ADM692AAN		ETC692NC	MAX692ACPA	SP692ACP	8 pin, DIP	4.40	LOW	YES
IMP692ACSA	ADM692AARN		ETC692MC	MAX692ACSA	SP692ACS	8 pin, SO	4.40	LOW	YES
IMP692AEPA	ADM692AAN		ETC692NI	MAX692AEPA	SP692AEP	8 pin, DIP	4.40	LOW	YES
IMP692AESA	ADM692AARN		ETC692MI	MAX692AESA	SP692AES	8 pin, SO	4.40	LOW	YES
IMP802LCPA	ADM802LAN			MAX802LCPA		8 pin, DIP	4.65	LOW	YES
IMP802LCSA	ADM802LARN			MAX802LCSA		8 pin, SO	4.65	LOW	YES
IMP802LEPA	ADM802LAN			MAX802LEPA		8 pin, DIP	4.65	LOW	YES
IMP802LESA	ADM802LARN			MAX802LESA		8 pin, SO	4.65	LOW	YES
IMP802MCPA	ADM802MAN			MAX802MCPA		8 pin, DIP	4.40	LOW	YES
IMP802MCSA	ADM802MARN			MAX802MCSA		8 pin, SO	4.40	LOW	YES
IMP802MEPA	ADM802MAN			MAX802MEPA		8 pin, DIP	4.40	LOW	YES
IMP802MESA	ADM802MARN			MAX802MESA		8 pin, SO	4.40	LOW	YES
IMP805LCPA	ADM805LAN			MAX805LCPA		8 pin, DIP	4.40	HIGH	YES
IMP805LCSA	ADM805LARN			MAX805LCSA		8 pin, SO	4.40	HIGH	YES
IMP805LEPA	ADM805LAN			MAX805LEPA		8 pin, DIP	4.40	HIGH	YES
IMP805LESA	ADM805LARN			MAX805LESA		8 pin, SO	4.40	HIGH	YES

Super XRef 104.eps

# IMP1810, IMP1811, IMP1812, IMP1815 and IMP1816

## Dallas Semiconductor Part Numbers



IMP	Part Number			RESET Tolerance (%)	RESET Time (ms)	Output Stage	Push Button RESET	Package	Reset Threshold (V)	RESET Polarity
	Dallas Semiconductor	MicroChip	Telcom							
IMP1810-5	DS1810-5	MCP130-475/TO	TC1272-5ENB	5	150	Push-Pull		3 pin, TO-92	4.62	LOW
IMP1810-10	DS1810-10	MCP130-450/TO	TC1272-10ENB	10	150	Push-Pull		3 pin, TO-92	4.37	LOW
IMP1810-15	DS1810-15	MCP130-450/TO	TC1272-15ENB	15	150	Push-Pull		3 pin, TO-92	4.12	LOW
IMP1810R-5	DS1810R-5			5	150	Push-Pull		3 pin, SOT-23	4.62	LOW
IMP1810R-10	DS1810R-10			10	150	Push-Pull		3 pin, SOT-23	4.37	LOW
IMP1810R-15	DS1810R-15			15	150	Push-Pull		3 pin, SOT-23	4.12	LOW
IMP1811-5	DS1811-5		TC1273-5ENB	5	150	Open-Drain		3 pin, TO-92	4.62	LOW
IMP1811-10	DS1811-10		TC1273-10ENB	10	150	Open-Drain		3 pin, TO-92	4.35	LOW
IMP1811-15	DS1811-15		TC1273-15ENB	15	150	Open-Drain		3 pin, TO-92	4.13	LOW
IMP1811R-5	DS1811R-5			5	150	Open-Drain		3 pin, SOT-23	4.62	LOW
IMP1811R-10	DS1811R-10			10	150	Open-Drain		3 pin, SOT-23	4.35	LOW
IMP1811R-15	DS1811R-15			15	150	Open-Drain		3 pin, SOT-23	4.13	LOW
IMP1812-5	DS1812-5		TC1274-5ENB	5	150	Push-Pull		3 pin, TO-92	4.62	HIGH
IMP1812-10	DS1812-10		TC1274-10ENB	10	150	Push-Pull		3 pin, TO-92	4.35	HIGH
IMP1812-15	DS1812-15		TC1274-15ENB	15	150	Push-Pull		3 pin, TO-92	4.13	HIGH
IMP1812R-5	DS1812R-5			5	150	Push-Pull		3 pin, SOT-23	4.62	HIGH
IMP1812R-10	DS1812R-10			10	150	Push-Pull		3 pin, SOT-23	4.35	HIGH
IMP1812R-15	DS1812R-15			15	150	Push-Pull		3 pin, SOT-23	4.13	HIGH
IMP1815-5	DS1815-5		TC1275-5ENB	5	150	Push-Pull		3 pin, TO-92	3.06	LOW
IMP1815-10	DS1815-10		TC1275-10ENB	10	150	Push-Pull		3 pin, TO-92	2.88	LOW
IMP1815-20	DS1815-20		TC1275-20ENB	20	150	Push-Pull		3 pin, TO-92	2.55	LOW
IMP1815R-5	DS1815R-5			5	150	Push-Pull		3 pin, SOT-23	3.06	LOW
IMP1815R-10	DS1815R-10			10	150	Push-Pull		3 pin, SOT-23	2.88	LOW
IMP1815R-20	DS1815R-20			20	150	Push-Pull		3 pin, SOT-23	2.55	LOW
IMP1816-5	DS1816-5		TC1276-5ENB	5	150	Open-Drain		3 pin, TO-92	3.06	LOW
IMP1816-10	DS1816-10	MCP130-270/TO	TC1276-10ENB	10	150	Open-Drain		3 pin, TO-92	2.88	LOW
IMP1816-20	DS1816-20	MCP130-300/TO	TC1276-20ENB	20	150	Open-Drain		3 pin, TO-92	2.55	LOW
IMP1816R-5	DS1816R-5			5	150	Open-Drain		3 pin, SOT-23	3.06	LOW
IMP1816R-10	DS1816R-10			10	150	Open-Drain		3 pin, SOT-23	2.88	LOW
IMP1816R-20	DS1816R-20			20	150	Open-Drain		3 pin, SOT-23	2.55	LOW

Operating temperature range of all parts is -40°C to 85°C.

Super XRef t05.eps



# IMP1817 and IMP1233

## Dallas Semiconductor Part Numbers



Part Number				RESET Tolerance (%)	RESET Time (ms)	Output Stage	Push Button RESET	Package	Reset Threshold (V)	RESET Polarity
IMP	Dallas Semiconductor	MicroChip	Telcom							
IMP1817-5	DS1817-5		TC1277-5ENB	5	150	Push-Pull		3 pin, TO-92	3.060	HIGH
IMP1817-10	DS1817-10		TC1277-10ENB	10	150	Push-Pull		3 pin, TO-92	2.880	HIGH
IMP1817-20	DS1817-20		TC1277-20ENB	20	150	Push-Pull		3 pin, TO-92	2.550	HIGH
IMP1817R-5	DS1817R-5			5	150	Push-Pull		3 pin, SOT-23	3.060	HIGH
IMP1817R-10	DS1817R-10			10	150	Push-Pull		3 pin, SOT-23	2.880	HIGH
IMP1817R-20	DS1817R-20			20	150	Push-Pull		3 pin, SOT-23	2.550	HIGH
IMP1233D-5	DS1233D-5	MCP130-475/TO		5	350	Open-Drain		3 pin, TO-92	4.625	LOW
IMP1233D-10	DS1233D-10	MCP130-450/TO		10	350	Open-Drain		3 pin, TO-92	4.375	LOW
IMP1233D-15	DS1233D-15	MCP130-450/TO		15	350	Open-Drain		3 pin, TO-92	4.125	LOW
IMP1233DZ-5	DS1233DZ-5			5	350	Open-Drain		3 pin, SOT-23	4.625	LOW
IMP1233DZ-10	DS1233DZ-10			10	350	Open-Drain		3 pin, SOT-23	4.375	LOW
IMP1233DZ-15	DS1233DZ-15			15	350	Open-Drain		3 pin, SOT-23	4.125	LOW
IMP1233M-55	DS1233M-55	MCP130-475/TO		5	350	Open-Drain		3 pin, TO-92	4.625	LOW
IMP1233M-5	DS1233M-5	MCP130-450/TO		10	350	Open-Drain		3 pin, TO-92	4.375	LOW
IMP1233M-3	DS1233M-3	MCP130-315/TO		15	350	Open-Drain		3 pin, TO-92	2.720	LOW
IMP1233MS-55	DS1233MS-55			5	350	Open-Drain		8 pin, SO	4.625	LOW
IMP1233MS-5	DS1233MS-5			10	350	Open-Drain		8 pin, SO	4.375	LOW
IMP1233MS-3	DS1233MS-3			15	350	Open-Drain		8 pin, SO	2.720	LOW

Operating temperature range of all parts is -40°C to 85°C.

Super XRef t06.eps

# IMP1232 and IMP1832

## Analog Devices, Dallas Semiconductor, ETC, Linear Technology and Maxim Part Numbers



IMP	Analog Devices	Part Number					Package	Operating Temperature Range	IMP Maximum Supply Current (µA)	Voltage Monitoring Application (V)
		Dallas Semiconductor	ETC	Linear Technology	Maxim	Telcom				
IMP1232LP		DS1232LP	ETC1232N	LTC1232CN8	MAX1232CPA	TC1232CPA	8 pin, DIP	0°C to 70°C	30	5
IMP1232LPS		DS1232LPS			MAX1232CWE	TC1232COE	16 pin, SO	0°C to 70°C	30	5
IMP1232LPS-2		DS1232LPS-2	ETC1232M	LTC1232CS8	MAX1232CSA	TC1232COA	8 pin, SO	0°C to 70°C	30	5
IMP1232LPCMA		DS1232LPU					8 pin, MicroSO	0°C to 70°C	30	5
IMP1232LPEMA	ADM1232ARM	DS1232LPUN					8 pin, MicroSO	-40°C to 85°C	30	5
IMP1232LPN	ADM1232AN	DS1232LPN	ETC1232N	LTC1232IN8	MAX1232EPA	TC1232EPA	8 pin, DIP	-40°C to 85°C	30	5
IMP1232LPSN-2	ADM1232ARN	DS1232LPSN-2	ETC1232M	LTC1232IS8	MAX1232ESA	TC1232EOA	8 pin, SO	-40°C to 85°C	30	5
IMP1232LPSN	ADM1232ARW	DS1232LPSN			MAX1232EWE	TC1232EOE	16 pin, SO	-40°C to 85°C	30	5
IMP1832		DS1832					8 pin, DIP	0°C to 70°C	20	3.3
IMP1832S		DS1832S					8 pin, SO	-40°C to 85°C	20	3.3
IMP1832EMA		DS1832UN					8 pin, MicroSO	-40°C to 85°C	20	3.3

Super XRef t08.eps

# IMP1834

## Dallas Semiconductor Part Numbers



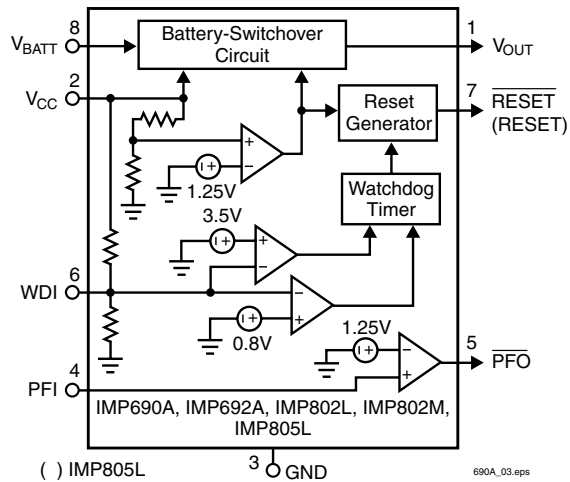
Part Number		Package	Operating Temperature Range	Monitor 5V and 3V Supply	RESET Polarity	Output Stage
IMP	Dallas Semiconductor					
IMP1834	DS1834	8 pin, DIP	-40°C to 85°C	Yes	LOW	Push-Pull
IMP1834EMA	DS1834U	8 pin, MicroSO	-40°C to 85°C	Yes	LOW	Push-Pull
IMP1834S	DS1834S	8 pin, SO	-40°C to 85°C	Yes	LOW	Push-Pull
IMP1834A	DS1834CMA	8 pin, DIP	0°C to 70°C	Yes	LOW	Open-Drain
IMP1834AEMA	DS1834AU	8 pin, MicroSO	-40°C to 85°C	Yes	LOW	Open-Drain
IMP1834AS	DS1834AS	8 pin, SO	-40°C to 85°C	Yes	LOW	Open-Drain
IMP1834D	DS1834D	8 pin, DIP	-40°C to 85°C	Yes	LOW	Push-Pull
IMP1834DEMA	DS1834DU	8 pin, MicroSO	-40°C to 85°C	Yes	LOW	Push-Pull
IMP1834DS	DS1834DS	8 pin, SO	-40°C to 85°C	Yes	LOW	Push-Pull

The IMP1834 devices can monitor 5V and 3.3V supplies simultaneously.

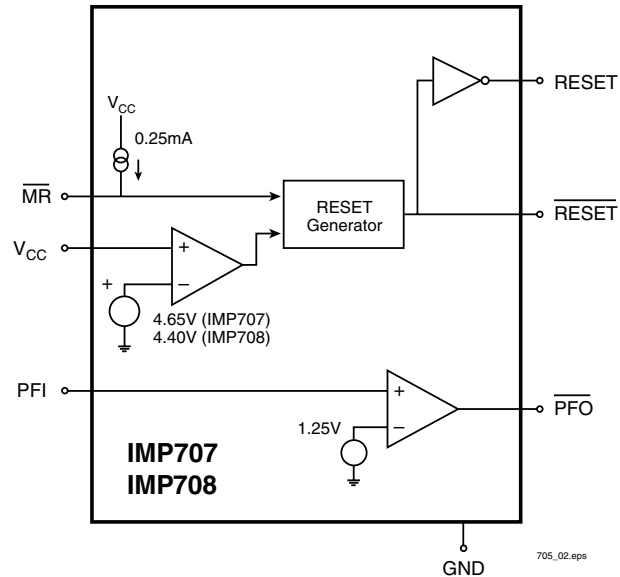
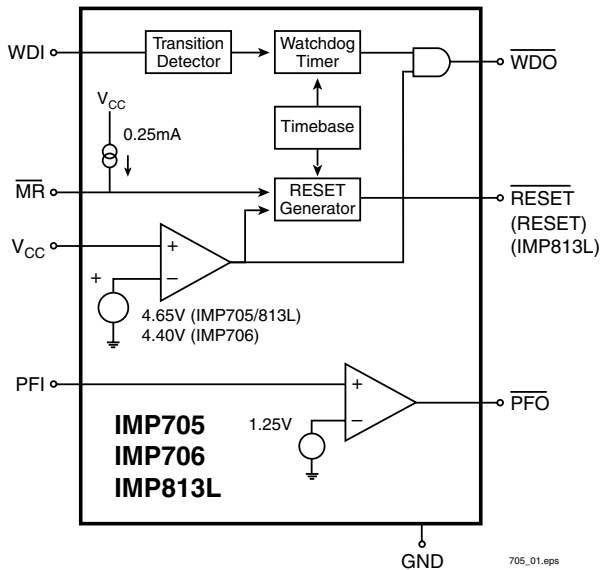
Super XRef 109.eps

# Block Diagram

## IMP690A, IMP692A, IMP802L, IMP802M and IMP805L

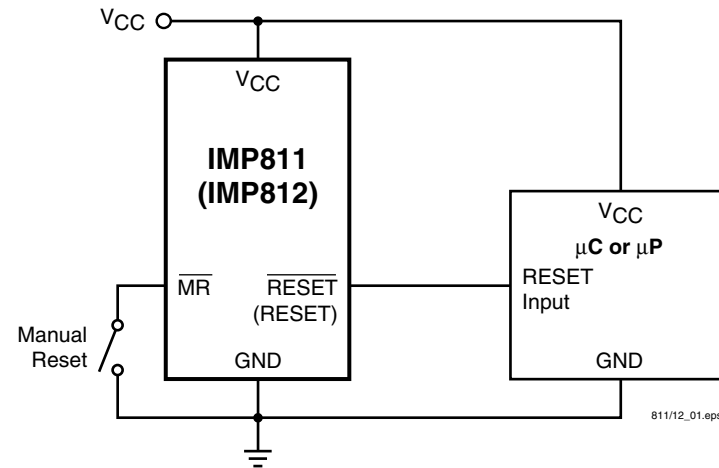
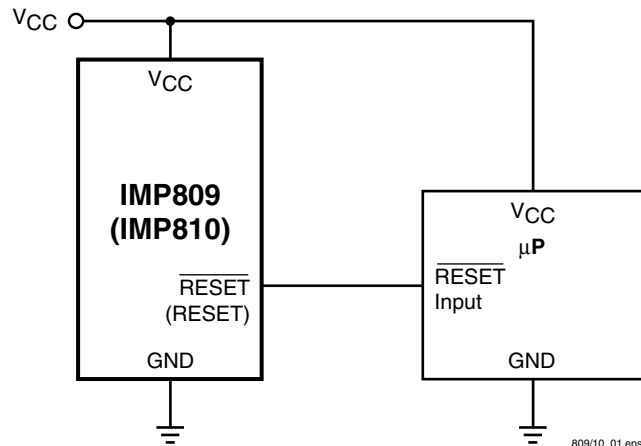


## IMP705/6/7/8 and IMP813L

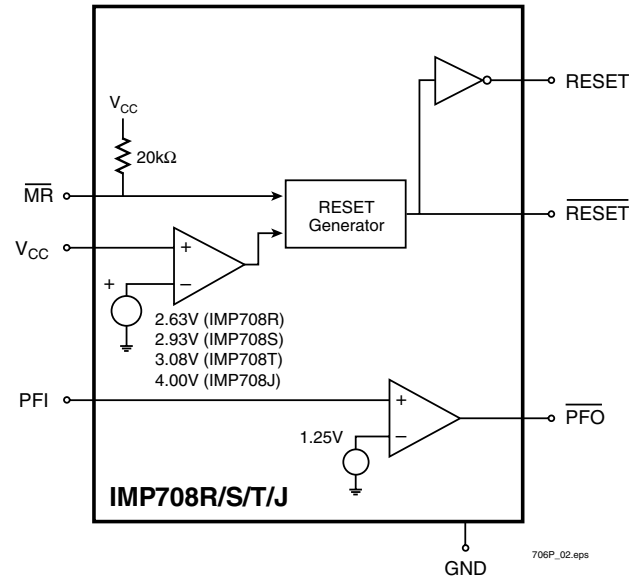
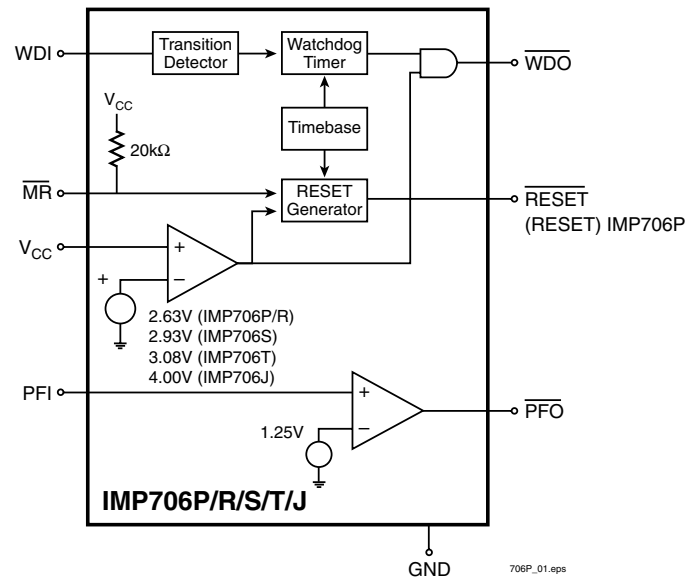


# Block Diagram

## IMP809 and IMP810, IMP811 and IMP812



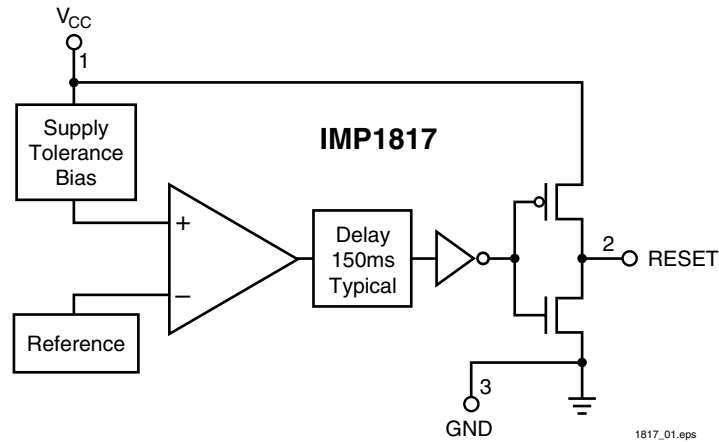
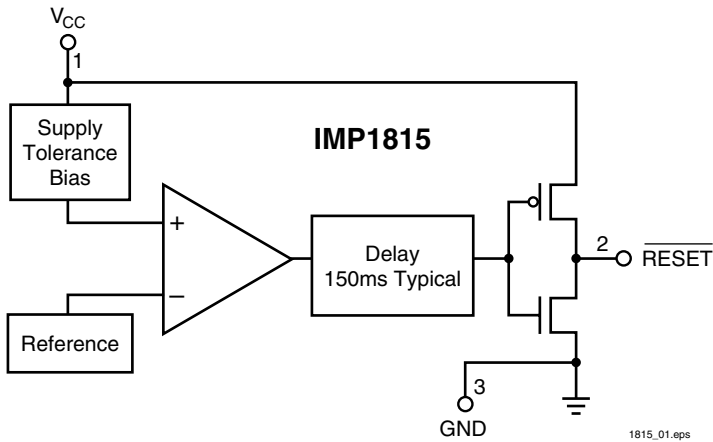
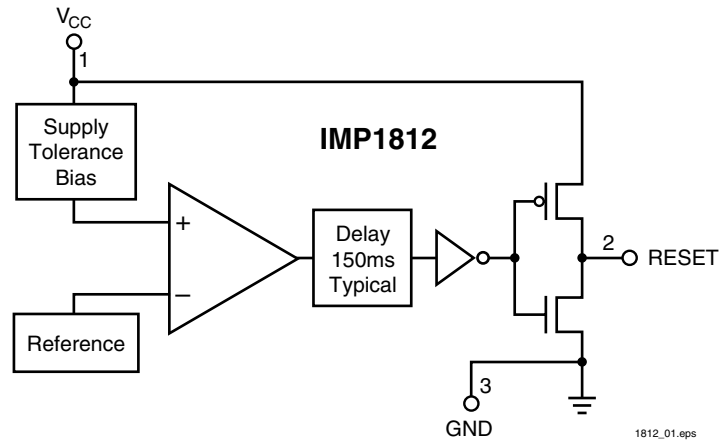
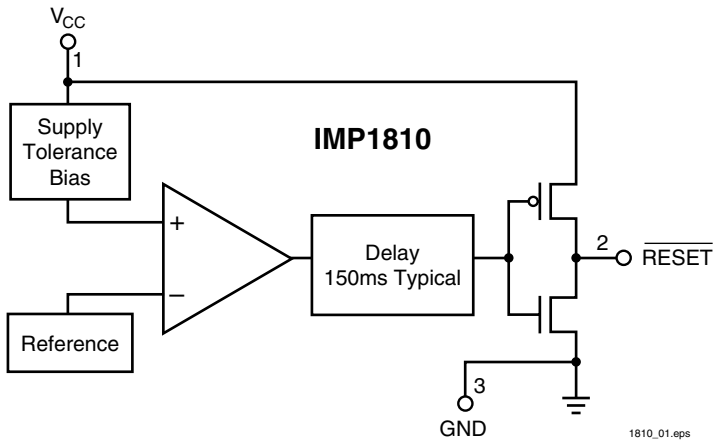
## IMP706P/R/S/T/J and IMP708R/S/T/J



# Block Diagram

## IMP1810, IMP1812, IMP1815 and IMP1817

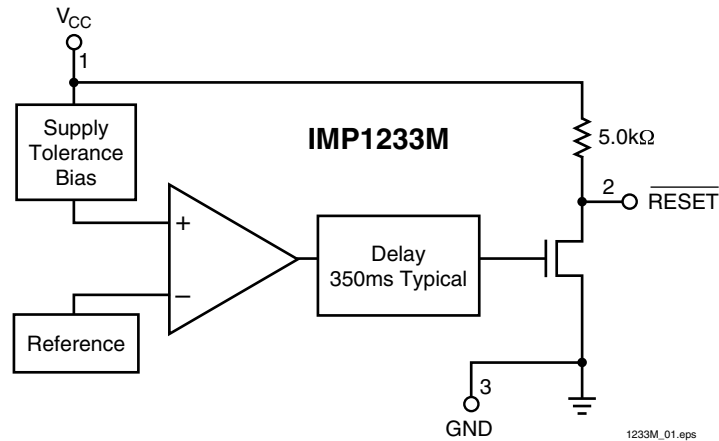
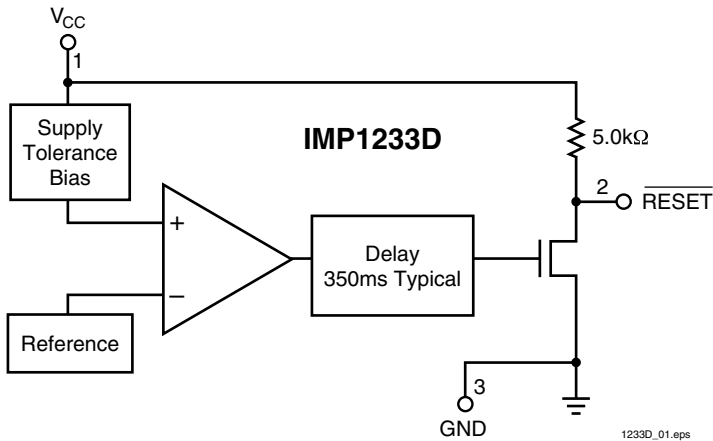
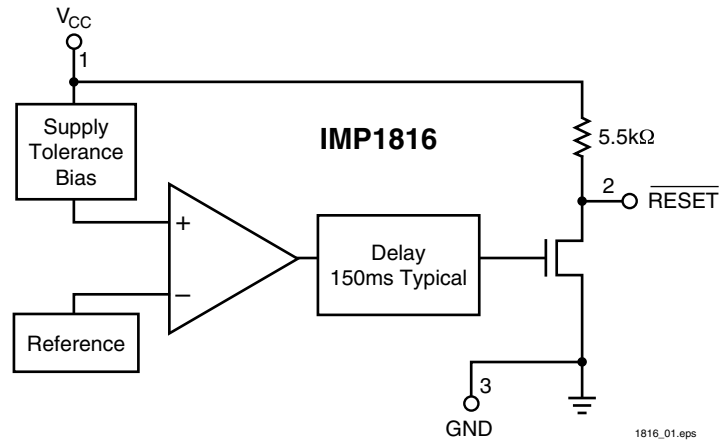
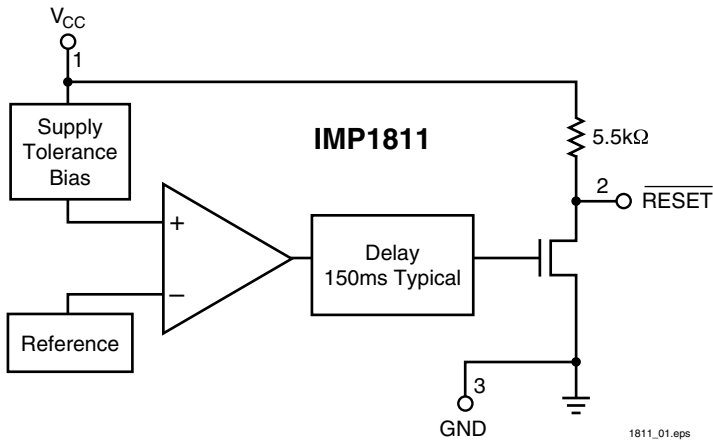
### Output Stage: Push-Pull



# Block Diagram

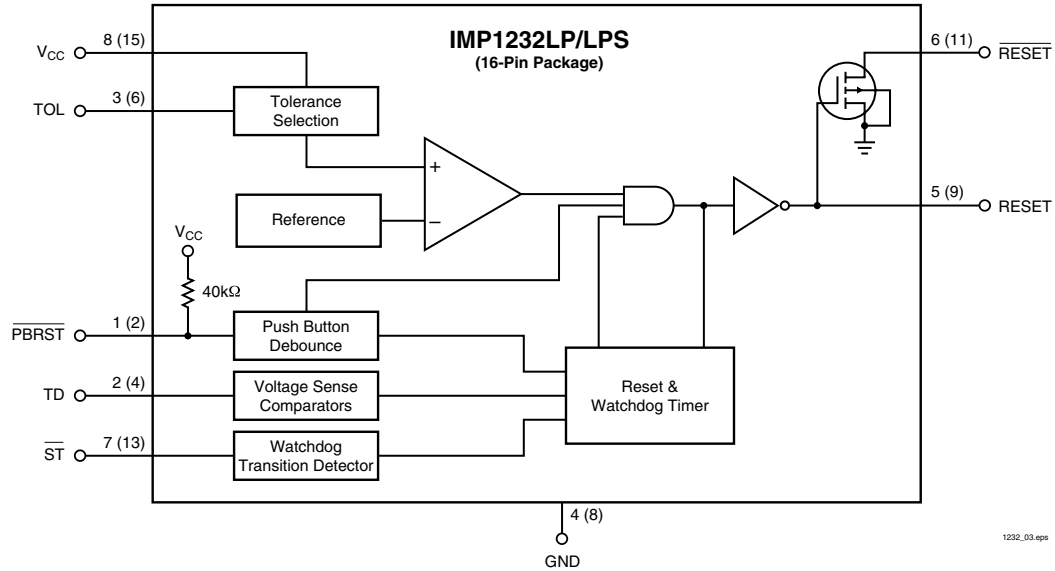
IMP1811, IMP1816, IMP1233D and IMP1233M

## Output Stage: Open-Drain

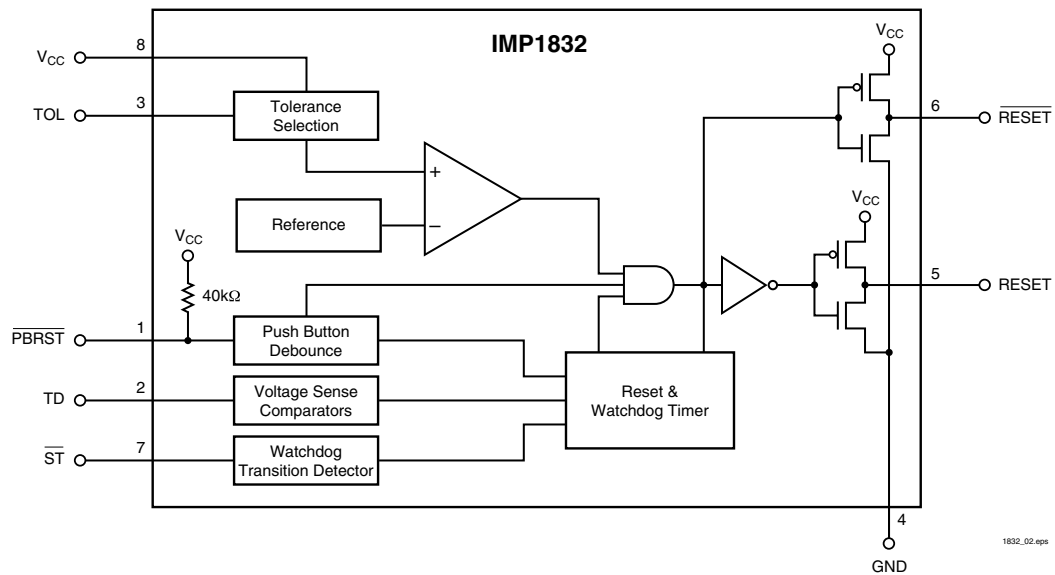


# Block Diagram

## IMP1232LP/LPS



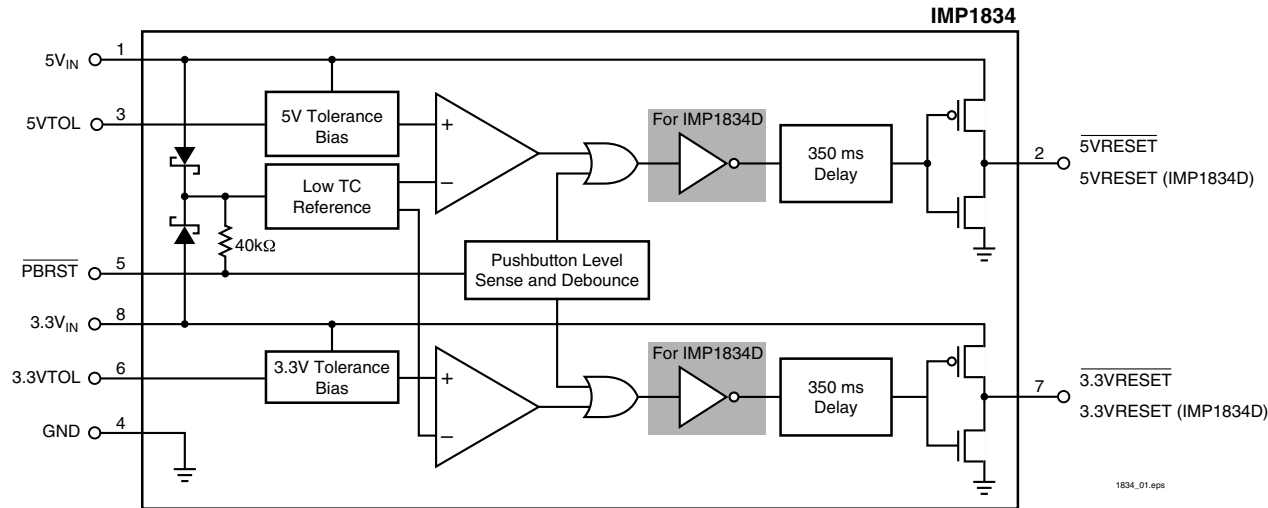
## IMP1832/A/D





# Block Diagram

## IMP1834/A/D



# Selection Guide



Part Number	Packages	System Monitors	Reset Threshold (V)	Manual Reset	Dual Reset	LOW Reset Polarity	HIGH Reset Polarity	Programmable Reset Tolerance	Reset Period (ms, typical)	Watchdog Timer	Programmable Watchdog Period	Watchdog Period	Auxiliary Power Fail Detector	Power Fail Accuracy (mV/%)	Dual 5V & 3V/3.3V	Supply Current (µA, max.)
IMP690A	8-pin: DIP & SO	5V	4.65			●			200	●		1.6s	●	50mV / 4%		100
IMP692A	8-pin: DIP & SO	5V	4.40			●			200	●		1.6s	●	50mV / 4%		100
IMP705	8-pin: DIP, SO & MicroSO	5V	4.65	●		●			200	●		1.6s	●	50mV / 4%		100
IMP706	8-pin: DIP, SO & MicroSO	5V	4.40	●		●			200	●		1.6s	●	50mV / 4%		140
IMP706J	8-pin: DIP, SO & MicroSO	5V	4.00	●		●			200	●		1.6s	●	50mV / 4%		140
IMP706P	8-pin: DIP, SO & MicroSO	3V	2.63	●			●		200	●		1.6s	●	50mV / 4%		140
IMP706R	8-pin: DIP, SO & MicroSO	3V	2.63	●		●			200	●		1.6s	●	50mV / 4%		140
IMP706S	8-pin: DIP, SO & MicroSO	3.3V	2.93	●		●			200	●		1.6s	●	50mV / 4%		140
IMP706T	8-pin: DIP, SO & MicroSO	3.3V	3.08	●		●			200	●		1.6s	●	50mV / 4%		140
IMP707	8-pin: DIP, SO & MicroSO	5V	4.65	●	●	●	●		200				●	50mV / 4%		140
IMP708	8-pin: DIP, SO & MicroSO	5V	4.40	●	●	●	●		200				●	50mV / 4%		140
IMP708J	8-pin: DIP, SO & MicroSO	5V	4.00	●	●	●	●		200				●	50mV / 4%		140
IMP708P	8-pin: DIP, SO & MicroSO	3V	2.63	●	●	●	●		200				●	50mV / 4%		140
IMP708S	8-pin: DIP, SO & MicroSO	3.3V	2.93	●	●	●	●		200				●	50mV / 4%		140
IMP708T	8-pin: DIP, SO & MicroSO	3.3V	3.08	●	●	●	●		200				●	50mV / 4%		140
IMP802L	8-pin: DIP & SO	5V	4.65			●			200	●		1.6s	●	25mV / 2%		100
IMP802M	8-pin: DIP & SO	5V	4.40			●			150	●		1.6s	●	25mV / 2%		140
IMP805L	8-pin: DIP & SO	5V	4.40				●		200	●		1.6s	●	50mV / 4%		100
IMP809J	3-pin: SOT-23	5V	4.00			●			240							15
IMP809L	3-pin: SOT-23	5V	4.63			●			240							15
IMP809M	3-pin: SOT-23	5V	4.38			●			240							15
IMP809R	3-pin: SOT-23	3V	2.63			●			240							15
IMP809S	3-pin: SOT-23	3.3V	2.93			●			240							15
IMP809T	3-pin: SOT-23	3.3V	3.08			●			240							15
IMP810J	3-pin: SOT-23	5V	4.00				●		240							15
IMP810L	3-pin: SOT-23	5V	4.63				●		240							15
IMP810M	3-pin: SOT-23	5V	4.38				●		240							15
IMP810R	3-pin: SOT-23	3V	2.63				●		240							15
IMP810S	3-pin: SOT-23	3.3V	2.93				●		240							15
IMP810T	3-pin: SOT-23	3.3V	3.08				●		240							15
IMP811J	4-pin: SOT-143	5V	4.00	●		●			240							15
IMP811L	4-pin: SOT-143	5V	4.63	●		●			240							15
IMP811M	4-pin: SOT-143	5V	4.38	●		●			240							15
IMP811R	4-pin: SOT-143	3V	2.63	●		●			240							15
IMP811S	4-pin: SOT-143	3.3V	2.93	●		●			240							15
IMP811T	4-pin: SOT-143	3.3V	3.08	●		●			240							15
IMP812J	4-pin: SOT-143	5V	4.00	●			●		240							15
IMP812L	4-pin: SOT-143	5V	4.63	●			●		240							15
IMP812M	4-pin: SOT-143	5V	4.38	●			●		240							15
IMP812R	4-pin: SOT-143	3V	2.63	●			●		240							15

Super XRef t10a.at3

# Selection Guide (continue)



Part Number	Packages	System Monitors	Reset Threshold (V)	Manual Reset	Dual Reset	LOW Reset Polarity	HIGH Reset Polarity	Programmable Reset Tolerance	Reset Period (ms, typical)	Watchdog Timer	Programmable Watchdog Period	Watchdog Period	Auxiliary Power Fail Detector	Power Fail Accuracy (mV/%)	Dual 5V & 3V/3.3V	Supply Current (µA, max.)
IMP812S	4-pin: SOT-143	3.3V	2.93	●			●		240							15
IMP812T	4-pin: SOT-143	3.3V	3.08	●			●		240							15
IMP813L	8-pin: DIP, SO & MicroSO	5V	4.65	●					200	●		1.6s	●	50mV / 4%		140
IMP1232LP	8-pin: DIP	5V	4.62 / 4.37	●	●	●	●	●	610	●	●	0.15 / 0.61 / 1.2s				30
IMP1232LP_MA	8-pin: MicroSO	5V	4.62 / 4.37	●	●	●	●	●	610	●	●	0.15 / 0.61 / 1.2s				30
IMP1232LPS	16-pin:SO	5V	4.62 / 4.37	●	●	●	●	●	610	●	●	0.15 / 0.61 / 1.2s				30
IMP1232LPS-2	8-pin: SO	5V	4.62 / 4.37	●	●	●	●	●	610	●	●	0.15 / 0.61 / 1.2s				30
IMP1232LPSN	16-pin:SO	5V	4.62 / 4.37	●	●	●	●	●	610	●	●	0.15 / 0.61 / 1.2s				30
IMP1232LPSN-2	8-pin: SO	5V	4.62 / 4.37	●	●	●	●	●	610	●	●	0.15 / 0.61 / 1.2s				30
IMP1233DZ-5	4-pin: SOT-223	5V	4.63			●			350							20
IMP1233DZ-10	4-pin: SOT-223	5V	4.375			●			350							20
IMP1233DZ-15	4-pin: SOT-223	5V	4.13			●			350							20
IMP1233MS-3	8-pin: SO	5V	2.72			●			350							15
IMP1233MS-5	8-pin: SO	5V	4.38			●			350							20
IMP1233MS-55	8-pin: SO	5V	4.63			●			350							20
IMP1810R-5	3-pin: SOT-23	5V	4.62			●			150							20
IMP1810R-10	3-pin: SOT-23	5V	4.37			●			150							20
IMP1810R-15	3-pin: SOT-23	5V	4.12			●			150							20
IMP1811R-5	3-pin: SOT-23	5V	4.62			●			150							20
IMP1811R-10	3-pin: SOT-23	5V	4.35			●			150							20
IMP1811R-15	3-pin: SOT-23	5V	4.13			●			150							20
IMP1812R-5	3-pin: SOT-23	5V	4.62				●		150							20
IMP1812R-10	3-pin: SOT-23	5V	4.35				●		150							20
IMP1812R-15	3-pin: SOT-23	5V	4.13				●		150							20
IMP1815R-5	3-pin: SOT-23	3.3V	3.06			●			150							20
IMP1815R-10	3-pin: SOT-23	3.0V	2.88			●			150							20
IMP1815R-20	3-pin: SOT-23	3.0V	2.55			●			150							20
IMP1816R-5	3-pin: SOT-23	3.3V	3.06			●			150							20
IMP1816R-10	3-pin: SOT-23	3.0V	2.88			●			150							20
IMP1816R-20	3-pin: SOT-23	3.0V	2.55			●			150							20
IMP1817R-5	3-pin: SOT-23	3.3V	3.06				●		150							20
IMP1817R-10	3-pin: SOT-23	3.0V	2.88				●		150							20
IMP1817R-20	3-pin: SOT-23	3.0V	2.55				●		150							20
IMP1832	8-pin: SO	3.3V	2.88 / 2.55	●	●	●	●	10% / 20%	610	●	●	0.15 / 0.6 / 1.2s				35
IMP1832S	8-pin: DIP	3.3V	2.88 / 2.55	●	●	●	●	10% / 20%	610	●	●	0.15 / 0.6 / 1.2s				35
IMP1832SEMA	8-pin: MicroSO	3.3V	2.88 / 2.55	●	●	●	●	10% / 20%	610	●	●	0.15 / 0.6 / 1.2s				35
IMP1834	8-pin: DIP, SO & MicroSO	5V & 3.3V	4.63V / 4.38V, 2.86V / 2.55V	●		●			350						●	35
IMP1834A	8-pin: DIP, SO & MicroSO	5V & 3.3V	4.63V / 4.38V, 2.86V / 2.55V	●		●			350						●	35
IMP1834D	8-pin: DIP, SO & MicroSO	5V & 3.3V	4.63V / 4.38V, 2.86V / 2.55V	●		●			350						●	35

Super XRef t10b.at3

# IMP Sales and USA Distribution Offices



## Worldwide Headquarters

IMP, Inc.  
2830 North First Street  
San Jose, CA 95134  
Tel: 408.432.9100  
Fax: 408.434.1215  
E-mail: info@impinc.com  
Internet: www.impweb.com

## Asia Pacific Area Sales Office

Philip Wong  
IMP, Inc.  
391A Orchard Road  
#12-01, Ngee Ann City Tower A  
Singapore 238873  
Tel: 65.838.5046 x225  
Fax: 65.235.9340  
E-mail: philipw@impinc.com

## USA Distributor

Jaco Corporate Headquarters  
145 Oser Avenue  
Hauppauge, NY 11788  
Tel: 631.273.5500  
TOLL FREE: 800.989.JACO  
E-mail: info@jacoelectronics.com  
Internet: www.jacoelectronics.com

## Eastern Region

NY, N. NJ, MA, CT, VT, ME,  
CANADA, S. NJ, DE, NC,  
SC, TN, MS, AL, GA, KY, FL

### *Jaco Electronics, Inc.*

145 Oser Avenue  
Hauppauge, NY 11788  
Tel: 631.273.5500  
Fax: 631.273.5799  
E-mail: info@jacoelectronics.com  
Les Girsky, Branch Mgr.

### *Jaco Electronics, Inc.*

1053 East Street  
Tewksbury, MA 01876  
Tel: 978.640.0010  
Tel: 800.225.0818  
Fax: 978.640.0755  
E-mail: jacomass@aol.com  
Tony Segnini, Branch Mgr.

### *Jaco Electronics, Inc.*

1191 E. Newport Center Drive  
Deerfield Beach, FL 33442  
Tel: 954.425.0304  
Tel: 800.776.5226  
Fax: 954.425.8077  
E-mail: jacofla@mindspring.com  
Don Caputo; VP/Regional Mgr.

### *Jaco Electronics, Inc.*

5204 Greens Dairy Road  
Raleigh, NC 27616  
Tel: 919.876.7767  
Tel: 800.768.2868  
Fax: 919.876.6964  
E-mail: jacose@mindspring.com  
Michael Barger, Inside Sales Mgr.

## Midatlantic Region

PA, MD, WV, VA, DE

### *Jaco Electronics, Inc.*

Rivers Center  
10260 Old Columbia Road  
Columbia, MD 21046  
Tel: 410.995.6620  
Tel: 800.394.5226  
Fax: 410.995.6032  
E-mail: jacomd@mindspring.com  
Mike Lissner Jr., Branch Mgr.

## Southwest Region

S. CA, NV, AZ

### *Jaco Electronics, Inc.*

2282 Townsgate Road  
Westlake, CA 91361  
Tel: 805.495.9998  
Fax: 805.494.3864  
E-mail: jacowest@earthlink.net

### *Jaco Electronics, Inc.*

22815 Savi Ranch Pkwy Ste E  
Yorba Linda, CA 92887  
Tel: 714.283.8185  
Fax: 714.283.8191  
E-mail: jacococ@earthlink.net

### *Jaco Electronics, Inc.*

521 S. 48th Street, Ste 104  
Tempe, AZ 85281  
Tel: 602.967.1114  
Fax: 602.967.1144  
E-mail:  
jacoarizona@earthlink.net

### *Jaco Electronics, Inc.*

7940 Silverton Ave, Ste. 214  
San Diego, CA 92126  
Tel: 858.689.1082  
Fax: 858.689.0190  
E-mail:  
jacosandiego@earthlink.net

## Northwest Region

N. CA, MT,  
WY, CO, WA,  
OR, ID, UT

### *Jaco Electronics, Inc.*

4010 Moorpark Avenue, Ste. 201  
San Jose, CA 95117  
Tel: 408.261.6700  
Tel: 800.696.0948  
Fax: 408.261.6717  
E-mail: jacosj@pacbell.net  
Ken Kallbrier, Branch Mgr.

### *Jaco Electronics, Inc.*

4900 SW Griffith Drive, Suite 250  
Beaverton, OR 97005  
Tel: 503.626.1439  
Tel: 800.245.JACO  
Fax: 503.626.0979  
E-mail: info@jacopacificnw.com  
Don Feltham, Branch Mgr.

## SALES OFFICE

### *Jaco Electronics, Inc.*

17220 127th Place N.E., Suite 300  
Woodinville, WA 98072  
Tel: 425.481.3372  
Tel: 800.245.JACO  
Fax: 425.481.1664  
E-mail: macsz@worldnet.att.net  
Mac McLaughlin, Sales Mgr.

## Central Region

TX, OK, KS, LA, AR, W. MO,  
NE, MN, ND, SD, IA, WI, IL, IN,  
MI, E. MO

### *Jaco Electronics, Inc.*

1209 N. Glenville Drive  
Richardson, TX 75081  
Tel: 972.234.5565  
Fax: 972.238.7068  
E-mail: jacotx@flash.net  
Larry DeBerry, Area Director

### *Jaco Electronics, Inc.*

2120-A Braker Lane  
Austin, TX 78758  
Tel: 512.835.0220  
Fax: 512.339.9252  
E-mail: jacoraus@mindspring.com  
Chris Cain, Branch Mgr.

### *Jaco Electronics, Inc.*

101 E. Commerce Drive  
Schaumburg, IL 60173  
Tel: 847.884.6620  
Tel: 800.675.6993  
Fax: 847.884.7573  
E-mail:  
jheerhold@jacoelectronics.com  
Chuck Heerhold, Branch Mgr.

### *Jaco Electronics, Inc.*

2401 Pilot Knob Road, Suite 120  
Mendota Heights, MN 55120  
Tel: 651.452.7464  
Tel: 800.844.5226  
Fax: 651.452.7502  
E-mail: jacomn@usinternet.com  
Christie Zorn, Branch Mgr.

# IMP Sales and USA Distribution Offices



**IMP, Inc.**  
Corporate Headquarters  
2830 North First Street  
San Jose, CA 95134  
Main: 408.432.9100  
Sales: 408.434.1277  
Fax: 408.434.1215  
E-mail: [info@impinc.com](mailto:info@impinc.com)  
Internet:  
[www.impweb.com](http://www.impweb.com)

## North American Representatives

**Alabama**  
**BITS, Inc.**  
Huntsville, AL  
Tel: 256.534.4020  
Fax: 256.534.0410  
Web: [www.bits1.com](http://www.bits1.com)

**Alaska**  
**ELREPCO - Northwest**  
Beaverton, OR  
Tel: 503.520.1900  
Fax: 503.520.1906

**Arizona**  
**NELCO TWO Company**  
Chandler, AZ  
Tel: 602.726.2334  
Fax: 602.726.2338

**Arkansas**  
**Kruvand Associates, Inc.**  
Richardson, TX  
Tel: 972.437.3355  
Fax: 972.680.8854  
Web: [www.kruvand.com](http://www.kruvand.com)

Austin, TX 78759  
Tel: 512.219.9441  
Fax: 972.680.8854

**California: Northern**  
**Quorum Technical Sales**  
Santa Clara, CA  
Tel: 408.980.0812  
Fax: 408.748.1163

Sacramento — Reno Area  
Paradise, CA  
Tel: 530.877.5772  
Fax: 530.699.4007

**California: Southern**  
**Spectrum Rep Company**  
Westlake Village, CA  
Tel: 818.706.2919  
Fax: 818.706.2978

Rancho Santa Margarita, CA  
Tel: 949.766.6700  
Fax: 949.766.6701

Mission Viejo, CA  
Tel: 949.367.3132  
Fax: 949.367.3133

**Canada**  
Manitoba, Ontario, Quebec,  
Prince Edward Island,  
New Brunswick, Newfoundland,  
Nova Scotia  
**Polar Components, Inc.**  
Dorval, Quebec  
Tel: 514.683.3141  
Fax: 514.683.3966

Kanata, Ontario  
Tel: 613.592.8807  
Fax: 613.592.6310

Woodbridge, Ontario  
Tel: 416.410.3377  
Fax: 416.410.0056

**British Columbia and Alberta**  
**ELREPCO - Northwest.**  
Redmond, WA  
Tel: 425.885.5880  
Fax: 425.882.0642

**Colorado**  
**PromoTech Sales**  
Denver, CO  
Tel: 303.692.8484  
Fax: 303.692.8416

**Connecticut**  
**R.J. Bell Controls, Inc.**  
Nashua, NH  
Tel: 603.882.6984  
Fax: 603.882.9049  
Web: [www.bellcontrols.com](http://www.bellcontrols.com)

**Delaware**  
**Astrorep Mid Atlantic, Inc.**  
Horsham, PA  
Tel: 215.957.9580  
Fax: 215.957.9583  
Web: [www.astrorep.com](http://www.astrorep.com)

**Florida**  
**Marathon Technical Sales**  
Orlando, FL  
Tel: 407.872.5775  
Tel: 800.713.9156  
Fax: 407.872.0535  
Web: [www.marathontech.com](http://www.marathontech.com)

Melbourne, FL  
Tel: 477.728.7706  
Fax: 407.952.8725  
Web: [www.marathontech.com](http://www.marathontech.com)

St. Petersburg, FL  
Tel: 727.894.3603  
Fax: 727.894.3804  
Web: [www.marathontech.com](http://www.marathontech.com)

Fort Lauderdale, FL  
Tel: 954.527.4949  
Fax: 954.527.4115  
Web: [www.marathontech.com](http://www.marathontech.com)

**Georgia**  
**BITS, Inc.**  
Norcross, GA  
Tel: 770.564.5599  
Fax: 770.564.5588  
Web: [www.bits1.com](http://www.bits1.com)

**Illinois**  
Northern Illinois Area  
**Horizon Technical Sales, Inc.**  
Downers Grove, IL  
Tel: 630.852.2500  
Fax: 630.852.2520

Southern Illinois Area  
**Central Tech Sales, Inc.**  
St. Louis, MO  
Tel: 314.878.6336  
Fax: 314.878.6550

**Indiana**  
**Schillinger Associates, Inc.**  
Kokomo  
Tel: 765.457.7241  
Fax: 765.457.7732

**Iowa**  
**Matrix Marketing Group**  
Bloomington, MN 55435  
Tel: 612.835.6977  
Fax: 612.835.6822

**Kansas**  
**Central Tech Sales, Inc.**  
St. Louis, MO  
Tel: 314.878.6336  
Fax: 314.878.6550

**Kentucky**  
**Schillinger Associates, Inc.**  
Kokomo, IN  
Tel: 765.457.7241  
Fax: 765.457.7732

**Louisiana**  
**Kruvand Associates, Inc.**  
Richardson, TX  
Tel: 972.437.3355  
Fax: 972.680.8854  
Web: [www.kruvand.com](http://www.kruvand.com)

Austin, TX  
Tel: 512.219.9441  
Fax: 972.680.8854

**Maine**  
**R.J. Bell Controls, Inc.**  
Nashua, NH  
Tel: 603.882.6984  
Fax: 603.882.9049  
Web: [www.bellcontrols.com](http://www.bellcontrols.com)

**Maryland**  
**Astrorep Mid Atlantic, Inc.**  
Horsham, PA  
Tel: 215.957.9580  
Fax: 215.957.9583  
Web: [www.astrorep.com](http://www.astrorep.com)

**Massachusetts**  
**R.J. Bell Controls, Inc.**  
Nashua, NH  
Tel: 603.882.6984  
Fax: 603.882.9049  
Web: [www.bellcontrols.com](http://www.bellcontrols.com)

**Mexico**  
Juarez Mexico Area  
**Kruvand Associates, Inc.**  
El Paso, TX  
Tel: 951.881.9626  
Fax: 951.881.9628  
Web: [www.kruvand.com](http://www.kruvand.com)

Guadalajara Mexico Area  
Co. Vallarta Poniente, C.P. Mexico  
Tel: 52.3.615.9944  
Fax: 52.3.630.1975  
Web: [www.kruvand.com](http://www.kruvand.com)

Monterrey Mexico Area  
Col. Del Valle, C.P. Mexico  
Tel: 52.8.335.88.67  
Fax: 52.8.335.10.65  
Web: [www.kruvand.com](http://www.kruvand.com)

## Michigan

**Schillinger Associates, Inc.**  
Kokomo, IN  
Tel: 765.457.7241  
Fax: 765.457.7732

## Minnesota

**Matrix Marketing Group**  
Bloomington, MN  
Tel: 612.835.6977  
Fax: 612.835.6822

## Mississippi

**BITS, Inc.**  
Huntsville, AL  
Tel: 256.534.4020  
Fax: 256.534.0410  
Web: www.bits1.com

## Missouri

**Central Tech Sales, Inc.**  
St. Louis, MO  
Tel: 314.878.6336  
Fax: 314.878.6550

## Montana

**NELCO TWO Company**  
Boise, ID  
Tel: 208.343.9171  
Fax: 208.343.9170

## Nebraska

**Central Tech Sales, Inc.**  
St. Louis, MO  
Tel: 314.878.6336  
Fax: 314.878.6550

## New Hampshire

**R.J. Bell Controls, Inc.**  
Nashua, NH  
Tel: 603.882.6984  
Fax: 603.882.9049  
Web: www.bellcontrols.com

## New Jersey

Northern New Jersey Area  
**Astrorep New York, Inc.**  
Babylon, NY  
Tel: 631.422.2500  
Fax: 631.422.2504  
Web: www.astrorep.com

## Southern New Jersey Area

**Astrorep Mid Atlantic, Inc.**  
Warminster, PA  
Tel: 215.957.9580  
Fax: 215.957.9583  
E-Mail:  
100710.546@compuserve.com  
Web: www.astrorep.com

## New Mexico

**NELCO TWO Company**  
Albuquerque  
Tel: 505.293.1399  
Fax: 505.293.1011

## New York

Metro  
**Astrorep New York, Inc.**  
Babylon  
Tel: 631.422.2500  
Fax: 631.422.2504  
Web: www.astrorep.com

## Upstate

**Quality Components**  
Manlius - Main office  
Tel: 315.682.8885  
Fax: 315.682.2277

## North Carolina

Eastern Area  
**BITS, Inc.**  
Raleigh  
Tel: 919.807.1000  
Fax: 919.807.1001  
Web: www.bits1.com

## Western Area

**BITS, Inc.**  
Charlotte  
Tel: 704.540.8185  
Fax: 704.540.8183  
Web: www.bits1.com

## North Dakota

**Matrix Marketing Group**  
Bloomington, MN  
Tel: 612.835.6977  
Fax: 612.835.6822

## South Dakota

**Matrix Marketing Group**  
Bloomington, MN  
Tel: 612.835.6977  
Fax: 612.835.6822

## Ohio

**The Lyons Corporation**  
Dayton, OH  
Tel: 937.278.0714  
Fax: 937.278.3609

## Oklahoma

**Kruvand Associates, Inc.**  
Broken Arrow, OK  
Tel: 918.258.1445  
Fax: 918.258.0894  
Web: www.kruvand.com

## Oregon

**ELREPCO - Northwest.**  
Beaverton, OR  
Tel: 503.520.1900  
Fax: 503.520.1906

## Pennsylvania

Eastern Area  
**Astrorep Mid Atlantic, Inc.**  
Warminster, PA  
Tel: 215.957.9580  
Fax: 215.957.9583  
Web: www.astrorep.com

## Western Area

**The Lyons Corporation**  
Dayton, OH  
Tel: 937.278.0714  
Fax: 937.278.3609

## Puerto Rico

**Marathon Technical Sales**  
Mayaguez, PR  
Tel: 787.831.4050  
Fax: 787.831.4250  
Web: www.marathontech.com

## Rhode Island

**R.J. Bell Controls, Inc.**  
Nashua, NH  
Tel: 603.882.6984  
Fax: 603.882.9049  
Web: www.bellcontrols.com

## South Carolina

**BITS, Inc.**  
Charlotte, NC  
Tel: 704.540.8185  
Fax: 704.540.8183  
Web: www.bits1.com

## Tennessee

Eastern Area  
**BITS, Inc.**  
Charlotte, NC  
Tel: 704.540.8185  
Fax: 704.540.8183  
Web: www.bits1.com

## Western Area

**BITS, Inc.**  
Huntsville, AL  
Tel: 256.534.4020  
Fax: 256.534.0410  
Web: www.bits1.com

## Texas

**Kruvand Associates, Inc.**  
Richardson, TX  
Tel: 972.437.3355  
Fax: 972.680.8854  
Web: www.kruvand.com

## Austin, TX

Tel: 512.219.9441  
Fax: 512.219.1932  
Web: www.kruvand.com

## El Paso, TX

Tel: 915.881.9626  
Fax: 915.881.9628  
Web: www.kruvand.com

## North Houston Area

**Kruvand Associates, Inc.**  
Houston, TX  
Tel: 281.890.9766  
Fax: 281.890.7955  
Web: www.kruvand.com

## South Houston Area

**Kruvand Associates, Inc.**  
Sugar Land, TX  
Tel: 281.980.0787  
Fax: 281.980.8426  
Web: www.kruvand.com

## Vermont

**R.J. Bell Controls, Inc.**  
Nashua, NH  
Tel: 603.882.6984  
Fax: 603.882.9049  
Web: www.bellcontrols.com

## Virginia

**Astrorep Mid Atlantic, Inc.**  
Charlottesville, VA  
Tel: 804.293.7717  
Fax: 804.293.3447  
Web: www.astrorep.com

## Washington

**ELREPCO - Northwest**  
Redmond, WA  
Tel: 425.885.5880  
Fax: 425.882.0642

## Washington D.C.

**Astrorep Mid Atlantic, Inc.**  
Warminster, PA  
Tel: 215.957.9580  
Fax: 215.957.9583  
Web: www.astrorep.com

## Wisconsin

Eastern Area  
**Horizon Technical Sales, Inc.**  
Hartford, WI  
Tel: 262.670.6776  
Fax: 262.670.6778

## Western Area

**Matrix Marketing Group**  
Bloomington, MN  
Tel: 612.835.6977  
Fax: 612.835.6822

## Wyoming

**NELCO TWO Company**  
Boise, ID  
Tel: 208.343.9171  
Fax: 208.343.9170

# International Sales and Distribution Offices



## Asia Pacific Area Sales Office

Philip Wong  
**IMP, Inc.**  
391A Orchard Road  
#12-01, Ngee Ann City Tower A  
Singapore 238873  
Tel: 65.838.5046 x225  
Fax: 65.235.9340  
E-mail: philipw@impinc.com

## Australia

### **Arrow Electronics Australia Pty Ltd.**

Headquarters  
9 Bastow Place  
Mulgrave VIC 3170  
Australia  
Tel: 61.3.9574.9300  
Fax: 61.3.9561.2148  
E-mail: simpson@arwnet.com.au  
Web: www.arrow.com.au

169 Unley Rd.  
1st Floor, Ste. 16  
Unley SA 5061  
Australia  
Tel: 618.232.3922  
Fax: 618.232.3929

17 Bowen Bridge Rd.  
Unit 32  
Herston QLD 4006  
Australia  
Tel: 61.7.3216.0770  
Fax: 61.7.3216.0772

64 Canning Hwy, Ste. 1  
Victoria Park WA 6100  
Australia  
Tel: 61.9.472.3855  
Fax: 61.9.470.3273

Level 4, 5 Belmore Street  
Burnwood  
NSW 2134  
Tel: 61.2.9745.1400  
Fax: 61.2.9745.1401

## Belguim

**Tekelec Airtronic B.V.**  
Ypsilon House, Engelandlaan 310  
2711 DZ Zoetermeer  
Netherlands  
Tel: 31.79.3461430  
Fax: 31.79.3417504  
E-mail: len.grootscholten@tekelec.nl  
Web: www.tekelec.nl

## China

### **Wuhan P&S Electronics Co. Ltd.**

15 Shuo Dao Quan Road  
Wuhan, Hubei 430079  
P.R.C.  
Tel: 86.27.87493500  
86.27.87493506  
Fax: 86.27.87491166  
Web: www.p8s.com

Beijing  
Tel: 86.10.62549897  
Fax: 86.10.62536518

Shanghai  
Tel: 86.21.64712494  
Fax: 86.21.64714208

Shenzhen  
Tel: 86.755.3245517  
Fax: 86.755.3269613

Chengdu  
Tel: 86.28.5575657  
Fax: 86.28.5563631

Nanjing  
Tel: 86.25.6618571  
Fax: 86.25.6509932

Wuhan  
Tel: 86.27.87862631  
Fax: 86.27.87862632

Xi'an  
Tel: 86.29.5214247  
Fax: 86.29.5218840

## Croatia/Slovenia

**HT-Eurep d.o.o.**  
F.E.R. Unska 3  
Berislavi 8  
Tel: 38.512.302.454  
Fax: 38.512.302.454  
E-mail: hteurep@cadcam.hg

## Czech Republic/Slovak Republic

### **HT-Eurep s.r.o.**

Svetova 10  
18000 Prague 8  
Czech Republic  
Tel: 42.2.66.31.30.53  
Fax: 42.2.684.00.80  
E-mail: risa@comaphte.cz

## Denmark

### **Dan-Contact A/S**

Brogaardsvej 48  
DK-2820 Gentofte  
Denmark  
Tel: 45.39.68.36.33  
Fax: 45.39.68.33.62  
E-mail: office@dan-contact.dk

## France

### **A2M**

5 Rue Carle Vernet  
92315 Sevres Cedex  
France  
Tel: 33.1.46.23.79.00  
Fax: 33.1.46.23.79.23  
E-mail: jmpeyresblanquesa2m@tekelec.fr  
Web: www.tekelec.fr

## Germany

### **Tekelec Airtronic GmbH**

Kapuzinerstrasse 9  
80337 Munich 2  
Germany  
Tel: 49.89.5164.503  
Fax: 49.89.5164.305

## Hong Kong

### **EIL Company Limited**

Unit A, 9/F, V GA Building,  
532 Castle Peak Road, Kowloon  
Hong Kong  
Tel: 852.2741.6811  
Fax: 852.2370.9297

## Hungary

### **HT-Electronic KFT**

Nepfurdo U. 19/F  
H-1138 Budapest  
Hungary  
Tel: 36.1.3395219  
Fax: 36.1.3395219  
E-mail: hteurep@elender.hu

## India

### **Teamasia Greaves**

### **Semiconductors Private Limited**

Industrial Development Area  
Patancheru 502319  
Medask Dist.  
Andhra Pradesh  
India  
Tel: 91.8455.42032  
Tel: 91.8455.42033  
Tel: 91.8455.42163  
Fax: 91.8455.42070  
Contact: P. N. Reddy

## Ireland

### **Curragh Technology Ltd.**

Block H, Lock Quay,  
Clare Street  
Limerick  
Ireland  
Tel: 353.61.316116  
Fax: 353.61.316117

## Israel

### **IES Electronics Agencies Ltd.**

32 Ben Gurion Street  
Ramat-Gan 52573  
Israel  
Tel: 972.3.7530776  
Fax: 972.3.7530701

## Japan

### **Teksel Co., Ltd.**

Head Office  
TBC, 2-27-10 Higashi, Shibuya-Ku  
Tokyo 150-0011  
Japan  
Tel: 03.5467.9000  
Fax: 03.5467.9186  
E-mail: imp@teksel.co.jp  
Web: www.teksel.co.jp

### Osaka Branch

Shin Osaka Meikou Bldg.,  
4-3-12 Miyahara,  
Yodogawa-Ku Osaka-Shi 532-0003  
Japan  
Tel: 06.6399.5000  
Fax: 06.6399.0999

### Nagoya Branch

KS Bldg., 3-18-28 Marunouchi,  
Naka-Ku Nagoya-Shi 460-0002  
Japan  
Tel: 052.971.3611  
Fax: 052.971.3622

### Nagano Branch

OAU Bldg., 2-1-22 Tenjin,  
Ueda-Shi Nagano 386-0025  
Japan  
Tel: 0268.23.7411  
Fax: 0268.23.7412

### Kyusyu Branch

BDai 5 Hakata Kaisei Bldg.  
1-18-25 Hakata Eki-Higashi,  
Hakata-Ku  
Fukuoka-Shi Fukuoka 812-0013  
Japan  
Tel: 092.531.7277  
Fax: 092.531.9960

# International Sales and Distribution Offices - continued



## Korea

**Acetronix**  
5th Fl Namhan Bldg.  
76-42 Hannam-Dong  
Yongsan-Ku, Seoul  
Korea  
Tel: 822.796.4561  
Fax: 822.796.4563

## *AIN Electronics, Inc.*

Rm. 203, Blk A, Sin-Sung Officetel  
1588-1 Seocho-Dong, Seocho-ku  
Seoul 135-120  
Korea  
Tel: 822.581.1741  
Fax: 822.581.1740

## *WaveTech Korea, Co., Ltd.*

3F, Cest Bien Bldg., 542-4  
Shinsa-dong, Kangnam-ku  
Seoul 135-120  
Korea  
Tel: 822.545.1231  
Fax: 822.545.1245  
Web: [www.wavetech.co.kr](http://www.wavetech.co.kr)

## Liechtenstein

**Computer Controls AG**  
Neunbrunnenstr. 55  
CH-8050 Zurich  
Switzerland  
Tel: 41.1.308.66.66  
Fax: 41.1.308.66.55

## Malaysia

**Sabre Technologies Pte. Ltd.**  
104 Boon Keng Road  
#07-07 Kallang Basin  
Industrial Estate  
Singapore 1233  
Tel: 65.2932003  
Fax: 65.2930661

## Netherlands

**Tekelec Airtronic B.V.**  
Ypsilon House  
Engelandaan 310  
2711 DZ Zoetermeer  
2701 Ac Zoetermeer  
Netherlands  
Tel: 31.79.3461430  
Fax: 31.79.341750

## New Zealand

**Arrow Electronics Australia Pty Ltd.**  
19 Pretocia Street  
P.O. Box 31186  
Lower Hutt 6009  
Tel: 64.4.570.2260  
Fax: 64.4.566.2111

## Poland

**HT-Eurep  
c/o WG Electronics**  
ul. Jarazca 10  
00-387 Warszawa  
Poland  
Tel: 48.22.621.77.04  
Fax: 48.22.628.48.50  
E-mail: [wghte@polbox.pl](mailto:wghte@polbox.pl)

## Singapore

**Sabre Technologies Pte. Ltd.**  
104 Boon Keng Road  
#07-07 Kallang Basin  
Industrial Estate  
Singapore 339775  
Tel: 65.2932003  
Fax: 65.2930661

## Spain

**Tekelec Espana S.A.**  
General Aranaz, 49  
28027 Madrid  
Spain  
Tel: 34.91.320.4160  
Fax: 34.91.320.1018

## Sweden

**Martinsson Elektronik AB**  
Instrumentvagen 16  
Box 9060  
S-12609 Hagersten  
Sweden  
Tel: 46.8.744.0300  
Fax: 46.8.744.7922

## Switzerland

**Computer Controls AG**  
Neunbrunnenstr. 55  
8050 Zurich  
Switzerland  
Tel: 41.1.308.66.66  
Fax: 41.1.308.66.55  
E-mail: [kolbiez@ccontrols.ch](mailto:kolbiez@ccontrols.ch)  
  
Rte. De Lausanne 17  
1400 Yuerdon-les-Bains  
Switzerland  
Tel: 41.24.423.8200  
Fax: 41.24.423.8205  
E-mail: [kolbiez@ccontrols.ch](mailto:kolbiez@ccontrols.ch)

## Taiwan

**Maxtek Technology Co., Ltd.**  
3F, No. 197, Sec. 4,  
Nanking E. Road, Taipei  
Taiwan  
Tel: 886.2.713.0209  
886.2.718.2084  
Fax: 886.2.712.6780

## Thailand

**Massworld Co., Ltd.**  
72/30 Ban Phunravee 1  
Rama 3 Road  
Yannawa Bangkok 10120  
Thailand  
Tel: 66.2.2944930  
Fax: 66.2.2942074

## United Kingdom

**Sequoia Technology Ltd.  
(a member of the TEKELEC group)**  
Tekelec House, Back Lane,  
Spencers Wood, Reading,  
Berkshire RG7 1PW  
United Kingdom  
Tel: 44.118.976.9014  
Fax: 44.118.976.9070  
E-mail: [sales@sequoia.co.uk](mailto:sales@sequoia.co.uk)

For any location not listed, please  
direct inquiries to IMP sales.  
01/11/2000